



Double-scissors lifts

JUMBO LIFT – space-saving

JUMBO I

JUMBO NT

JUMBO III

JUMBO NT IV

JUMBO NT IV PLUS

JUMBO LIFT – space-saving, cost-efficient and functional



JUMBO LIFT NT new Design



With new lever for extension



JUMBO LIFT I – in-ground installation



JUMBO LIFT I – extendable platforms



JUMBO LIFT NT

Out of the pit – Clear and free

Pit covered – JUMBO installed – the large base of the JUMBO LIFT has only minor requirements to the consistency of the foundation. As a result you have a bright, friendly workplace with daylight all around.

Without column – Flexible

Without constraint of the present workplace width.

Simply drive-on

Fast and reliable lifting with polymer pads, which protect the vehicle's underbody.

Ideal space-use through JUMBO LIFT

Working with column lifts need more space. Increase your productivity by using the models of JUMBO LIFT – ideal for your garage layout.

JUMBO LIFT I – The classic in-ground installation

- Flexible without columns
- In-ground installation
- Fully hydraulic control
- Controllable lifting and lowering speeds through hand lever
- Test lane and drive over area are in-ground integrated
- Possible to drive over

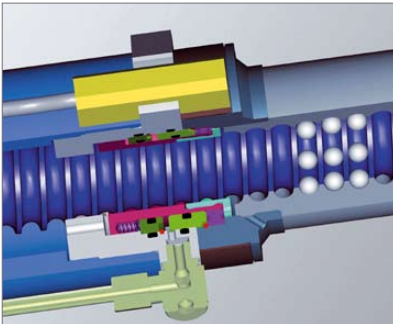
JUMBO LIFT NT – Above-ground, extremely flat

- Minimum height of 98 mm
- The new technology with redundant safety concept
- With corrugated sheet metal platforms instead of aluminium plates
- Fully hydraulic control
- New design with control lever for platform extension
- Ready to use delivery: unpack, fix dowedled, plug-in, fill-in oil and lift

JUMBO LIFT models



JUMBO LIFT NT IV



SST – Safety Star Technology



JUMBO LIFT III



JUMBO LIFT NT IV PLUS

JUMBO LIFT III – For the networked garage

- An internal microcontroller operates all functions and delivers at the same time the interface for the garage network
- With patented interactive SST (Safety Star Technology) safety system
- Smooth starting and stopping
- Precise positioning, exact in 1/10 millimeters
- Programmable working position, lifting and lowering speeds
- Tuning ramps for sports and clearance cars as driver's assistants (option)

SST – Safety Star Technology

The revolutionary and patented interactive safety system guarantees absolute safety at lifting, lowering and working position. Nussbaum-Hydraulic with intelligent sensor technology, monitored and controlled through microcontroller – show new ways into the future. Absolutely safe and reliable.

JUMBO LIFT IV – New safety standard

- Safety through the redundant hydraulic system (2 independent hydraulic circuits)
- Fully hydraulic system without electric and pneumatic parts at the lift
- Compact oil-submerged motor with press button control
- Easy installation on any flat garage floor without special foundation works

JUMBO LIFT NT IV PLUS

- Integrated wheel-free lift for lifting smart vehicles
- in-ground installation
- Function and safety analog JUMBO LIFT NT IV

Technical data

JUMBO LIFT – Short and Brief

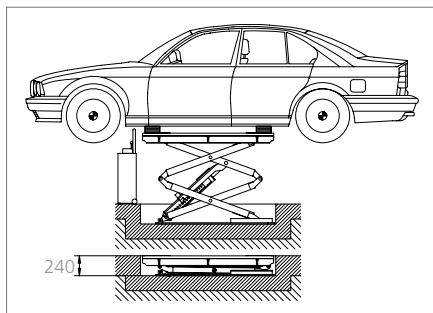
- A productive working area with optional space-using – the most reasonable solution from economic point of view
- Relocation possible in approx. two hours
- High resale value
- Free space all around the lift
- Fast lifting and lowering times
- Free access between both platforms
- No connection between both platforms
- Lifting safety through polymer pads, which also protect the vehicle's underbody
- Above-ground installation (NT, III, IV) or in-ground installation possible

JUMBO LIFT – Accessories

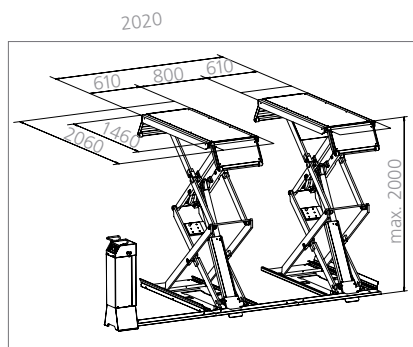
- Aluminium crossbar for off-road vehicle with rigid height adapter – for safety lifting of off-road vehicle at its frame
- CE-Stop for in-ground installation
- Fire galvanization for corrosive environment



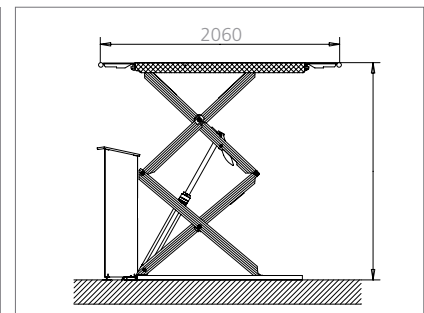
JUMBO LIFT	I	NT	III	NT IV	NT IV PLUS
Lifting capacity (kg)	3000	3000	3200	4000	4000
Lifting time approx. (sec)	36	30	24	35	35
Lifting height (mm)	1800	2000	1870	2000	1900
Drive-on height (mm)	–	98	98	135	–
Lifting height WFL (mm)	–	–	–	–	400
Installation depth (mm)	240	98	98	135	260
Total width (mm)	1828	2020	1980	2020	2020
Platform length (mm)	1580 (1900)	1460–2060	1460–2060	1460–2060	1460–2160
Motor (kW)	3,0	3,0	3,0	3,0	3,0
Power supply (V/Hz)	400/50	400/50	400/50	400/50	400/50



JUMBO LIFT I in-ground installation



JUMBO LIFT NT above-ground installation



JUMBO LIFT III above-ground installation