



Hydraulic 2-post lifts

POWER LIFT – The power pack

SPL 4000 HDL 5000 HDL 6500 SST

Hydraulic 2-post lifts – powerful and reliable



Optimal door-free, easy to get in and out



User friendly – easy operation



Stepless manual control lever



POWER LIFT SPL 4000

The POWER LIFT is a two-post hydraulic lift, which has enormous lifting capacity from 4000 up to 6500 kg and offers all-around applicated spectrum.

With low maintenance, almost wear-free cylinder per column make the POWER LIFT powerful and reliable. With enormous abilities, POWER LIFT has fast lifting time, as well as a precise regulation and control system at lowering.

Dependent on the model; asymmetric, symmetric or especially the double-jointed arm guarantee safety and accuracy in lifting a wide range of vehicles from small passenger cars, large vans up to lightweight trucks.

The advantage for the user is a safe and clean working area, since the POWER LIFT is designed for easy operation and has no base-frame. The galvanized version of the POWER LIFT can be used outdoors and e.g. in washing bays.

POWER LIFT SPL 4000

The POWER LIFT SPL 4000 has 2-times telescopic and asymmetric arms, which has optimal door-free and allows to easily get in and out of vehicle for interior works.

Moreover, this lift is equipped with a hydraulic unit, as well as a shut off bar at the upper cross connection. The lowering speed of lifting arms can be individually adjusted by a stepless manual control lever.

With a lifting capacity of 4000 kg, the strong POWER LIFT SPL 4000; depending on the model; can safely lift passenger cars as well as vans, because the electromagnetic locking additionally secures lifting arms in all positions.

The POWER LIFT 4000 Universal lifts a wide range of vehicles safely from small passenger cars (for example, smart) up to lightweight vans (such as, MB Sprinter/VW LT 2 long version) with its flexibility, 2-times telescopic flexible lifting arms.

POWER LIFT models



POWER LIFT HDL 5000



Double-jointed arms



Mini-Max adapter



POWER LIFT HDL 6500 SST

SST – Safety Star Technology

Due to SST (Safety Star Technology), a patented safety system, the load in each working height is secured mechanically. The lifting units move synchronized, controlled by proportional valve technology. The Safety Star Technology controls the synchronicity of the lifting units exactly to 1/10 millimeters.

The POWER LIFT HDL 6500 SST can, optionally, be connected with a Nussbaum service point online via ISDN or another modem (option with Interface) in order to have a fast diagnosis as well as security advices.

POWER LIFT HDL 5000

For easy lifting of different car types, particularly large vans (for example MB Sprinter, VW LT 2); the POWER LIFT HDL 5000 is available with smooth-running, roller-bearred lifting arms which are symmetric and 2-times telescopic. It has a lifting capacity of 5000 kg. The POWER LIFT HDL 5000 is operated by a single hydraulic unit. The shut off bar at the top connection and the push button control guarantee safe lifting and lowering. Electro-magnetic ratchet stabilizes lifting arms in all additional positions.

POWER LIFT 6500 SST

With an enormous lifting capacity of 6000 kg, the POWER LIFT 6500 SST can lift up vehicles from small passenger car (for example, smart) up to lightweight truck safely even in a complicated condition, with its flexibel and space-saving double-jointed arms. The symmetric lifting arms are roller-bearred and 2-times telescopic and guarantee exact positioning of individual pick-up points, even for small passenger cars. There is no connection between the columns, because each column is equipped with an integrated power unit and control system.

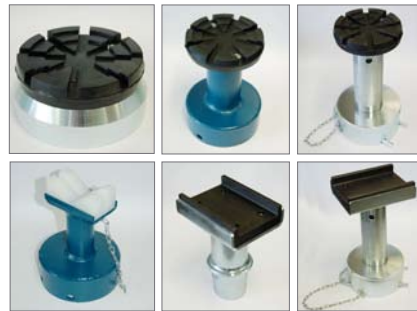
Technical details

POWER LIFT – clear and cut

- Additional security by the electro-magnetic locking (SPL 4000, HDL 5000) or Safety Star Technology (HDL 6500 SST)
- Shut off bar at the top connection
- No ground connection
- Flexible carrying arm either symmetrical (SPL 4000) or asymmetrical (HDL 5000) or double-jointed arms (HDL 6500 SST)
- Fast lifting and lowering times
- Low maintenance and almost wear-free cylinder
- Galvanized version can be installed and using outdoor (with external control unit)
- Easy lowering by progressive hand lever control

POWER LIFT – Accessories

- Different fixed and adjustable height adapters for off-road vehicles and commercial vans
- Column extension 600 mm (SPL 4000) and 650 mm (HDL 5000)
- Energy-set 380V/220V/2 air supply accesses

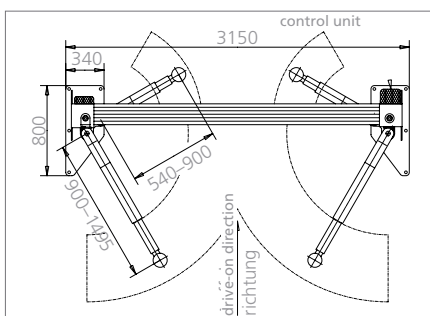


Height adapters for offroad vehicles and commercial vans

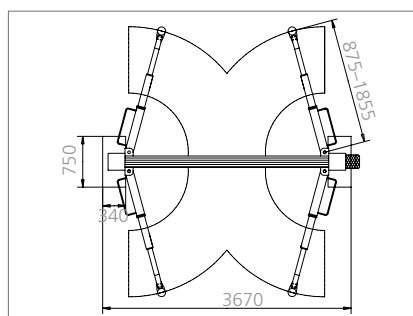


Control unit HDL 6500 SST

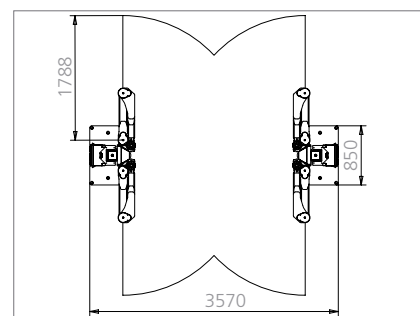
POWER LIFT	SPL 4000	SPL 4000 Universal	HDL 5000	HDL 6500 / 8000 SST
Lifting capacity (kg)	4000	4000	5000	6500 / 8000
Lifting time approx. (sec)	32	32	32	65
Lifting height (mm)	1905 / 2095	1905 / 2095	2080	1900
Lowest lifting point (mm)	120 – 165	120 – 190	140 – 220	170
Total height (mm)	3650 / 4090	3650 / 4090	4020	4290
Total width (mm)	3148	3148	3670	3570
Distance btw. the columns (mm)	2650	2650	3020	2780
Long arm reach (mm)	900 – 1495	1130 – 1840	875 – 1855	1788
Short arm reach (mm)	540 – 900	570 – 1160	–	–
Motor (kW)	3,0	3,0	3,0	3,0
Power supply (V/Hz)	400 / 50	400 / 50	400 / 50	400 / 50



POWER LIFT SPL 4000 Standard lifting arms



POWER LIFT HDL 5000



POWER LIFT HDL 6500 SST with double-jointed arms